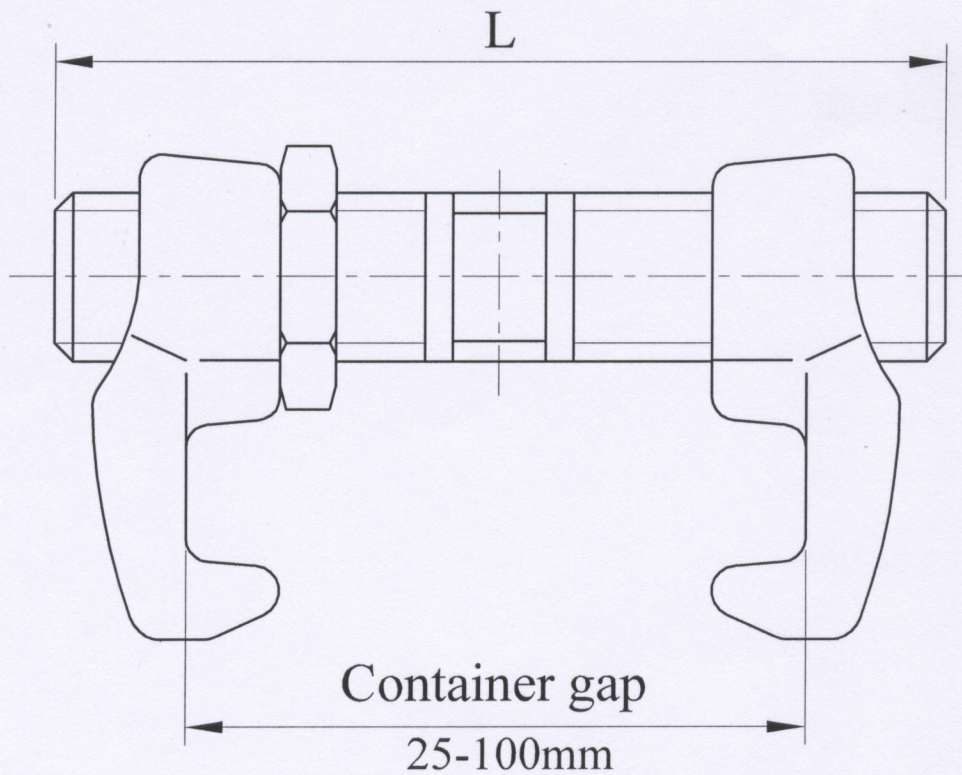


# BRIDGE FITTINGS

BE-A1



Type	L	M.B.L	Weight
BE-A1/260	260	100KN	3.0Kg
BE-A1/380	380	100KN	3.8Kg
Other length according to order			



**Material:** Forged steel

**Finish:** Hot dip galvanised

**Weight:** Table

**M.B.L:** Tension: 100KN

**M.B.L:** Shear: -

**M.B.L:** Compression: -